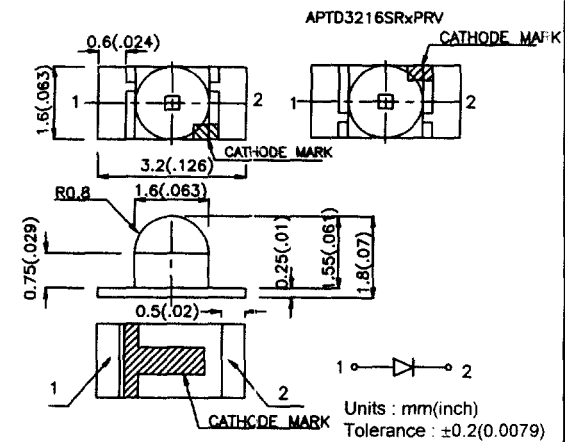


Part No.	Emitting Color + Material	Wave-length (nm)	Lens Type	Iv (mcd) @20mA		Viewing Angle	Dimension
				Min.	Typ.		

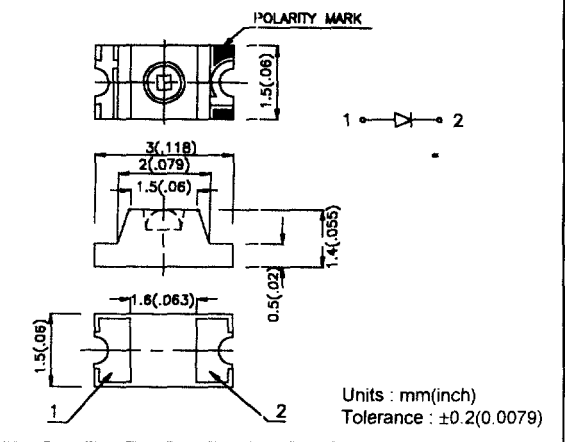
APTD3216HD	GaP	700	red diffused	1.2	2	50°
APTD3216HC	GaP	700	water clear	2	4	50°
APTD3216ID	GaAsP/GaP	625	red diffused	10	40	50°
APTD3216EC	GaAsP/GaP	625	water clear	10	50	50°
APTD3216NC	GaAsP/GaP	610	water clear	10	30	50°
APTD3216SGD	GaP	565	green diffused	5	20	50°
APTD3216QYC	GaP	565	water clear	5	30	50°
APTD3216QGC	GaP	560	water clear	5	30	50°
APTD3216PGC	GaP	555	water clear	2	5	50°
APTD3216YD	GaAsP/GaP	590	yellow diffused	3	10	50°
APTD3216YC	GaAsP/GaP	590	water clear	3	30	50°
APTD3216PYC	GaAsP/GaP	580	water clear	3	20	50°
APTD3216SRDPRV	GaAlAs	660	red diffused	40	100	50°
APTD3216SRCPRV	GaAlAs	660	water clear	100	300	50°
APTD3216SURC	InGaAlP	640	water clear	300	600	50°
APTD3216SURCK	InGaAlP	640	water clear	200	500	50°
APTD3216SEC	InGaAlP	610	water clear	700	1500	50°
APTD3216SECK	InGaAlP	610	water clear	500	1300	50°
APTD3216SYC	InGaAlP	590	water clear	100	400	50°
APTD3216SYCK	InGaAlP	590	water clear	100	300	50°
APTD3216MBC	GaN	430	water clear	30	60	50°
APTD3216PBC	InGaN	470	water clear	100	250	50°

3.2mm x 1.6mm x 1.8mm (1206 Dome Lens)



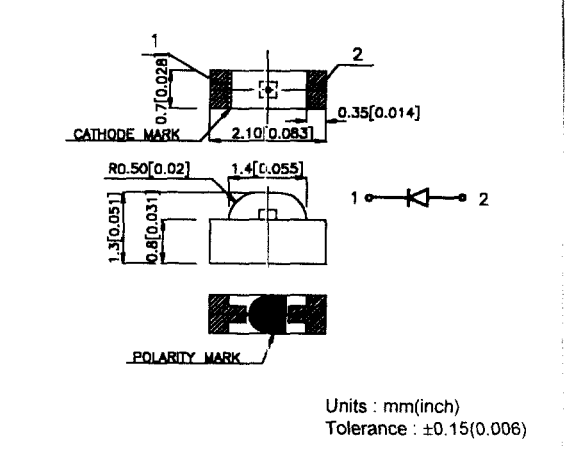
APL3015HD	GaP	700	red diffused	0.8	2	90°
APL3015HC	GaP	700	water clear	0.8	2	90°
APL3015ID	GaAsP/GaP	625	red diffused	5	16	90°
APL3015EC	GaAsP/GaP	625	water clear	5	16	90°
APL3015NC	GaAsP/GaP	610	water clear	5	16	90°
APL3015SGD	GaP	565	green diffused	5	16	90°
APL3015QYC	GaP	565	water clear	5	16	90°
APL3015QGC	GaP	560	water clear	5	16	90°
APL3015PGC	GaP	555	water clear	2	5	90°
APL3015YD	GaAsP/GaP	590	yellow diffused	3	12	90°
APL3015YC	GaAsP/GaP	590	water clear	3	12	90°
APL3015PYC	GaAsP/GaP	580	water clear	3	12	90°
APL3015SRDPRV	GaAlAs	660	red diffused	40	80	90°
APL3015SRCPRV	GaAlAs	660	water clear	40	80	90°
APL3015SURC	InGaAlP	640	water clear	100	250	90°
APL3015SURCK	InGaAlP	640	water clear	90	150	90°
APL3015SEC	InGaAlP	610	water clear	200	500	90°
APL3015SECK	InGaAlP	610	water clear	100	400	90°
APL3015SYC	InGaAlP	590	water clear	40	150	90°
APL3015SYCK	InGaAlP	590	water clear	40	100	90°
APL3015MBC	GaN	430	water clear	3	12	90°
APL3015PBC	InGaN	470	water clear	55	75	90°

3.0mm x 1.5mm x 1.4mm (1106)



APJA2107ID	GaAsP/GaP	625	red diffused	5	12	120°
APJA2107EC	GaAsP/GaP	625	water clear	5	12	120°
APJA2107NC	GaAsP/GaP	610	water clear	5	12	120°
APJA2107SGD	GaP	565	green diffused	3	12	120°
APJA2107SGC	GaP	565	water clear	3	12	120°
APJA2107PGC	GaP	555	water clear	2	5	120°
APJA2107YD	GaAsP/GaP	590	yellow diffused	3	8	120°
APJA2107YC	GaAsP/GaP	590	water clear	3	8	120°
APJA2107PYC	GaAsP/GaP	585	water clear	3	8	120°
APJA2107SRDPRV	GaAlAs	660	red diffused	40	70	120°
APJA2107SRCPRV	GaAlAs	660	water clear	40	70	120°
APJA2107SURC	InGaAlP	640	water clear	100	300	120°
APJA2107SURCK	InGaAlP	640	water clear	80	200	120°
APJA2107SEC	InGaAlP	610	water clear	100	300	120°
APJA2107SEW	InGaAlP	610	white diffused	100	300	120°
APJA2107SECK	InGaAlP	610	water clear	80	200	120°
APJA2107SEWE	InGaAlP	630	white diffused	80	200	120°
APJA2107SYC	InGaAlP	590	water clear	40	60	120°
APJA2107SYW	InGaAlP	590	white diffused	40	60	120°
APJA2107SYCK	InGaAlP	590	water clear	30	60	120°
APJA2107MBC	GaN	430	water clear	3	8	120°
APJA2107PBC	InGaN	470	water clear	30	45	120°

2.1mm x 0.7mm x 1.3mm (0802 Right Angle)



NOTE :

1. AP series custom-made is available upon request.